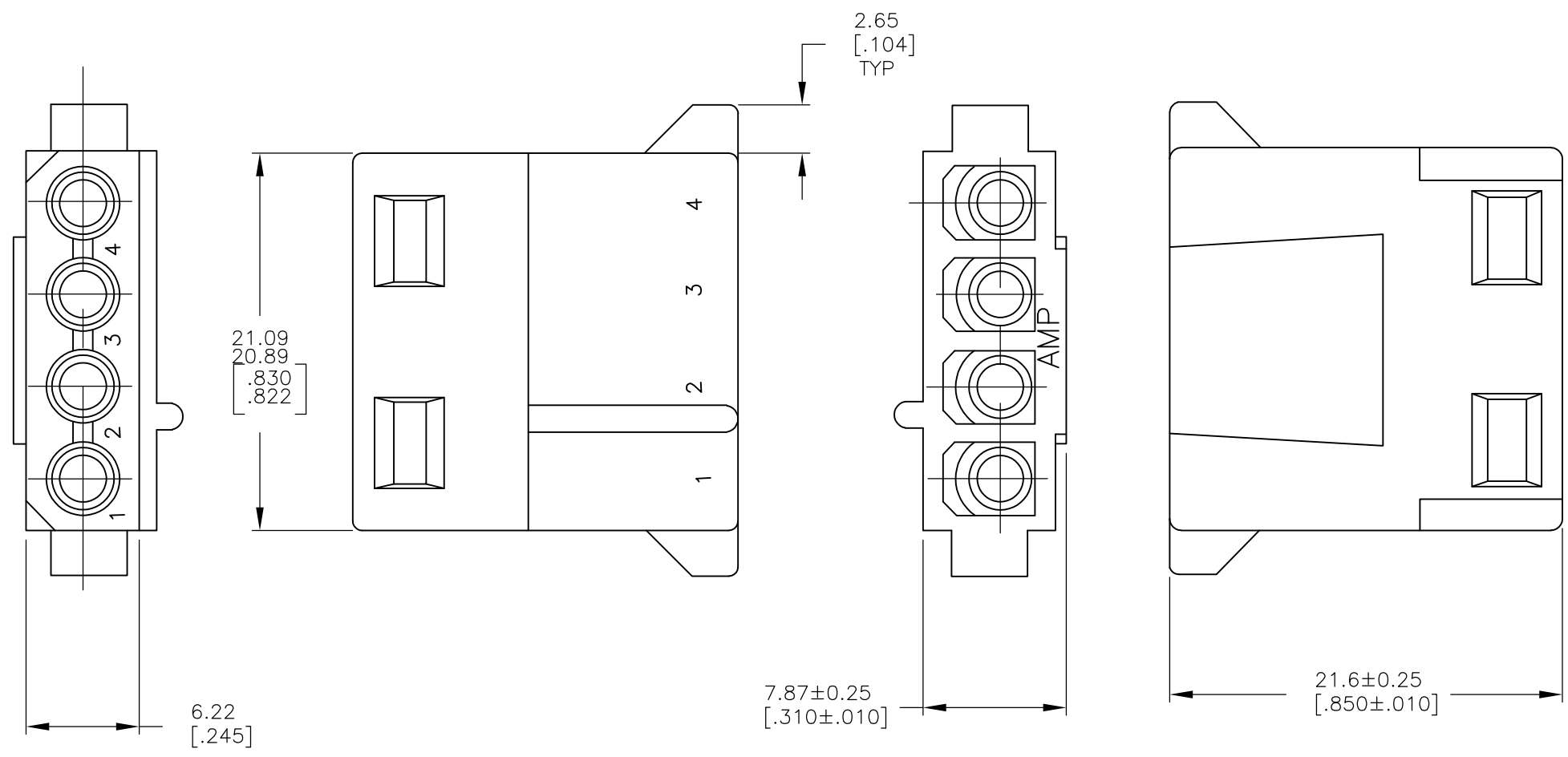


THIS DRAWING IS UNPUBLISHED.      RELEASED FOR PUBLICATION      - , - .  
 © COPYRIGHT - By -      ALL RIGHTS RESERVED.

LOC	DIST	REVISIONS			
P	LTR	DESCRIPTION	DATE	DWN	APVD
CM	0				
	N1	REVISED PER ECO-11-004587	11MAR11	RK	HMR

- 1 THIS PLUG TO BE USED WITH CAP 480426.
- 2 TO BE USED WITH MATE-N-LOK™ SOCKETS.



BLACK	1-480424-9
NATURAL	1-480424-0
COLOR	PART NO.

THIS DRAWING IS A CONTROLLED DOCUMENT.		DWN K. WHITAKER 23JAN2007	<b>STE</b> TE Connectivity														
DIMENSIONS: mm [INCHES]		CHK D. COLEY 23JAN2007															
TOLERANCES UNLESS OTHERWISE SPECIFIED:		APVD D. COLEY 23JAN2007	NAME PLUG, 4 CIRCUIT, MATE-N-LOK(TM)														
<table border="0"> <tr> <td>0 PLC</td> <td>± -</td> </tr> <tr> <td>1 PLC</td> <td>± -</td> </tr> <tr> <td>2 PLC</td> <td>± -</td> </tr> <tr> <td>3 PLC</td> <td>± .005</td> </tr> <tr> <td>4 PLC</td> <td>± -</td> </tr> <tr> <td>ANGLES</td> <td>± 0°30'</td> </tr> </table>		0 PLC	± -	1 PLC	± -	2 PLC	± -	3 PLC	± .005	4 PLC	± -	ANGLES	± 0°30'	PRODUCT SPEC -	SIZE A3		
0 PLC	± -																
1 PLC	± -																
2 PLC	± -																
3 PLC	± .005																
4 PLC	± -																
ANGLES	± 0°30'																
MATERIAL		APPLICATION SPEC -	CAGE CODE 00779	DRAWING NO C-480424	RESTRICTED TO -												
FINISH -		WEIGHT -	SCALE 3:1														
METRIC		CUSTOMER DRAWING		SHEET 1 OF 1	REV N1												